

**ANALIX™
A-26L Series**

- ◆ The ANALIX A-26L Series, a water-cooled, grounded anode X-ray tube designed for X-ray diffractometry.
- ◆ The maximum input power 2.0 kW.
- ◆ Four Beryllium windows hermetically sealed to metal body.
- ◆ Standard target materials, Cr, Cu, Fe, Mo and W.



Electrical:

Circuit:

High Voltage Generator	Constant Potential High-Voltage Generator
Grounding	Anode Grounded
Nominal X-ray Tube Voltage	60 kV
Focal Spot	0.4 × 8 mm
Starting Tube Voltage	10 kV or Less

Mechanical:

Dimensions	See Dimensional Outline
Overall Length	229.7 mm
Diameter of Maximum Part	φ67.8 mm
Target:	
Angle	Zero Degree
Material	Cr, Cu, Fe, Mo, W
Inherent Filtration	0.3 mm Beryllium
X-ray Beam Angle	Approx. 8°
X-ray Port	4 Directions
Weight	Approx. 1.5 kg
Cooling:	
Method	Water Cooled
Quantity of Water	Minimum 3.5 ℓ/min
Temperature	Less than 35 °C
Maximum Water Pressure	490 kPa
Pressure Drop	Approx. 98 kPa

★The information contained herein is presented only as a guide for the application of our products. No responsibility is assumed by Canon Electron Tubes & Devices Co., Ltd. (CETD) for any infringements of patents or other rights of the third parties which may result from its use. No license is granted by implication or otherwise under any patent or patent rights of CETD or others.
 ★The information contained herein may be changed without prior notice. It is therefore, advisable to contact to CETD before processing with the design of equipment incorporating this product.

Absolute Maximum and Minimum Ratings
(At any time, these values must not be exceeded)

Maximum X-ray Tube Voltage 60 kV
 Minimum X-ray Tube Voltage 10 kV
 Maximum X-ray Tube Current 40 mA
 Maximum Filament Current 3.8 A
 Filament Frequency Limits 20 kHz or Less
 Maximum Input:

Tube Name	Targets	Maximum Input Power
A-26L-Mo	Mo	2.0 kW
A-26L-W	W	2.0 kW
A-26L-Cr	Cr	1.5 kW
A-26L-Cu	Cu	1.5 kW
A-26L-Fe	Fe	0.9 kW

Environmental Limits

Operating Limits:

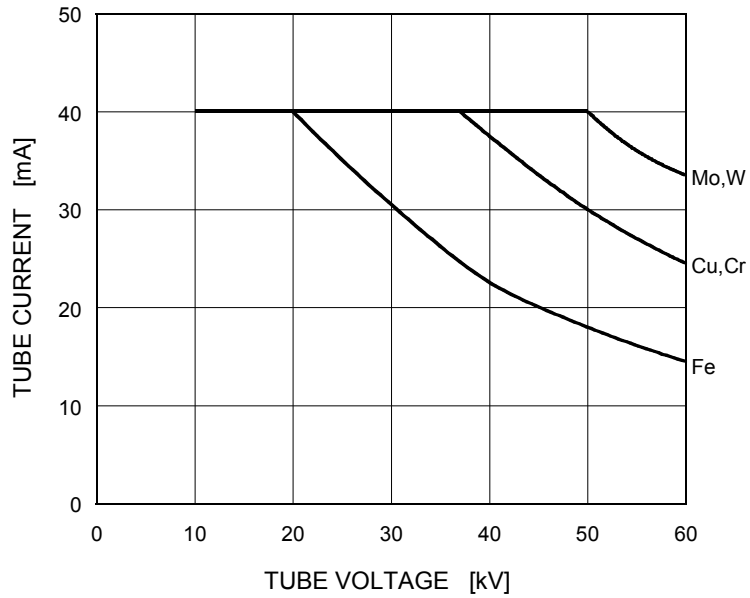
Temperature	10 ~ 40 °C
Humidity	85 % or Less (No condensation)
Atmospheric Pressure	70 ~ 106 kPa
Vibration and Shock	Use it in environment without vibration and a shock

Shipping and Storage Limits:

Temperature	-20 ~ 70 °C
Humidity	85 % or Less (No condensation)
Atmospheric Pressure	50 ~ 106 kPa
Vibration	4.9 m/s ² or Less
Shock	98 m/s ² or Less

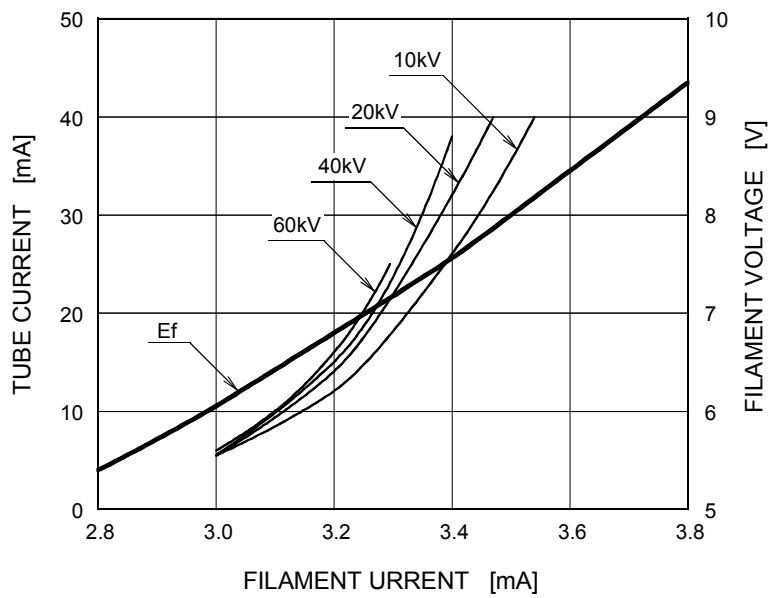
Maximum Rating Charts (Absolute Maximum Rating Charts)

Constant Potential



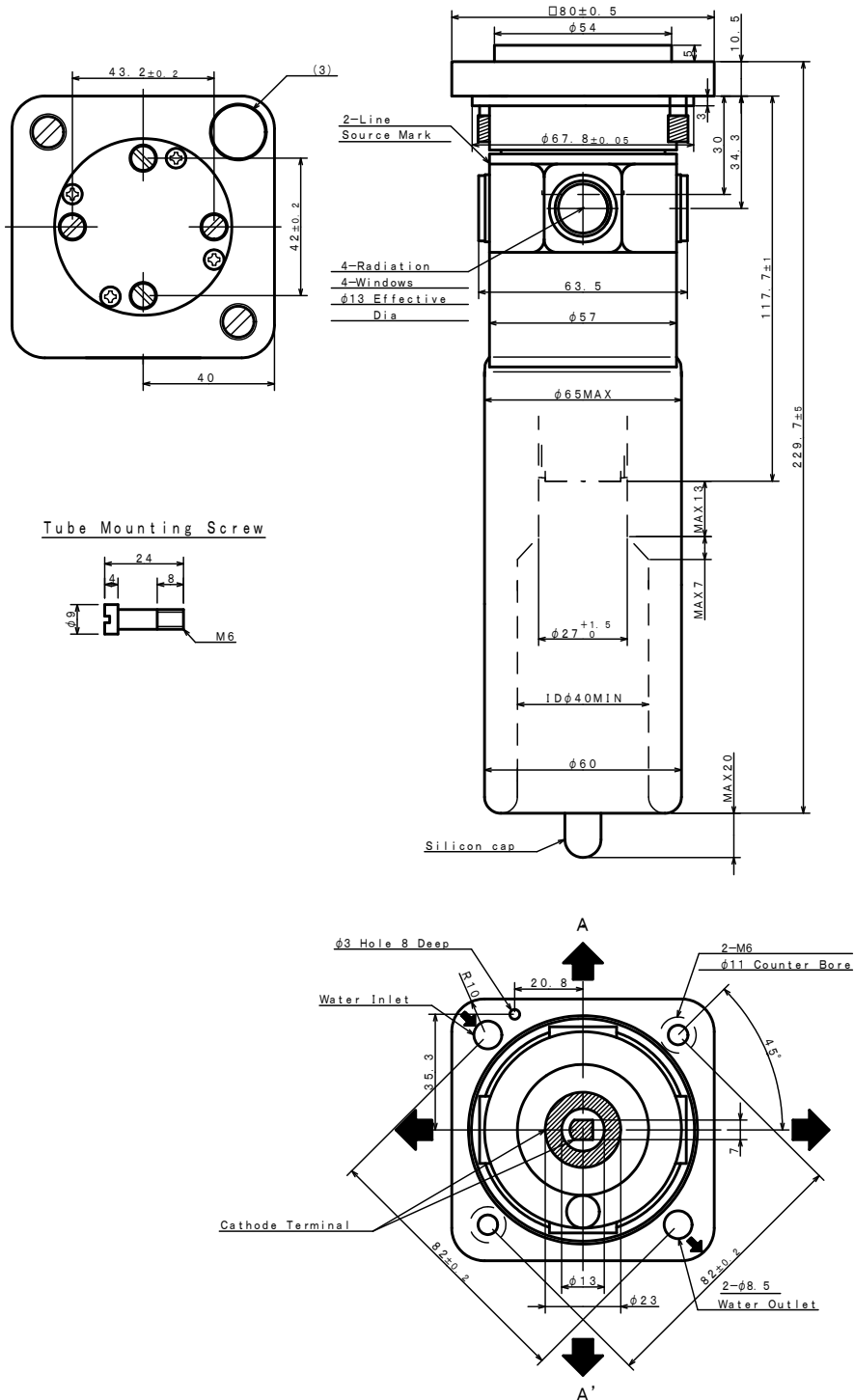
Tube Current & Filament Characteristics

Constant Potential



Dimensional Outline

Unit: mm



- Note (1) Mark Indicates the direction of central X-ray.
 (2) The window mark in white gives a line source. This focus lies in A-A' axis.
 (3) The material of target is signified with the chemical element symbol.



CANON ELECTRON TUBES & DEVICES CO., LTD.

Marketing Engineering Group, Sales Department
1385, Shimoishigami, Otawara-shi, Tochigi 324-8550, Japan
Tel: +81-287-26-6666 Fax: +81-287-26-6060
<https://etd.canon>

·The head office of Canon Electron Tubes & Devices Co., Ltd. has been certified to meet all the requirements of Environmental Management System ISO14001.
·Canon Electron Tubes & Devices Co., Ltd. has been certified to meet all the requirements of Quality Management Systems ISO9001 and ISO13485.
Product scope is referred to the following URL. <https://etd.canon/eng/company/quality.htm>.