

**ROTANODE™
XRR-3332X**

Rotating Anode X-ray Tube Assembly

- ◆ Rotating anode X-ray tube assembly for high energy radiographic operations.
- ◆ The heavy anode is constructed with specially processed rhenium-tungsten faced molybdenum target which is 74 mm diameter and has an improved coating to increase thermal emissivity.
- ◆ This tube has foci 1.2 and 0.6, and is available for a maximum tube voltage 150 kV.



General Data

IEC Classification (IEC60601-1:2005+A1:2012) Class I ME EQUIPMENT

Electrical:

Circuit:

High Voltage Generator Constant Potential High-Voltage Generator
 Grounding Center-grounded

Nominal X-ray Tube Voltage:

Radiographic 150 kV

Nominal Focal Spot Value:

Large Focus 1.2
 Small Focus 0.6

Nominal Anode Input Power (at 0.1s):

	60 Hz	50 Hz
Large Focus	46 kW	42 kW
Small Focus	20 kW	18 kW

Nominal Radiographic Anode Input Power:

	60 Hz	50 Hz
Large Focus	43 kW	40 kW
Small Focus	19.5 kW	17.5 kW

★The information contained herein is presented only as a guide for the application of our products. No responsibility is assumed by Canon Electron Tubes & Devices Co., Ltd. (CETD) for any infringements of patents or other rights of the third parties which may result from its use. No license is granted by implication or otherwise under any patent or patent rights of CETD or others.
 ★The information contained herein may be changed without prior notice. It is therefore, advisable to contact to CETD before processing with the design of equipment incorporating this product.

Motor Ratings:

Stator: XS-AL

		Starting	Running
Driven Frequency	[Hz]	50/60	50/60
Input Power	[W]	910	83
Voltage ^{1) 3)}	[V]	130	40
Current ²⁾	[A]	7.8	2.3
Min. Speed Up ⁴⁾	[s]	0.8	-
Capacitor	[μ F]	44	44

Note: 1) Applied voltage between common and main terminal.

2) Common current.

3) The every applied voltage must be never exceeded 110% of the above specification.

4) The speed-up time is allowed up to 110% of the above specification.

Anode Speed:

60 Hz Minimum 3200 min⁻¹
 50 Hz Minimum 2700 min⁻¹

Stator Resistance:

Common-Main Winding 9.4 Ω
 Common-Auxiliary Winding 28.3 Ω
 Resistance Between Housing and Low Voltage Terminals Minimum 2 M Ω
 Normal Operating Range of the Housing Temperature 16 ~ 75 °C
 Mode of Operation Intermittent

Mechanical:

Dimensions See dimensional outline
 Overall Length 385 mm
 Maximum Diameter 140 mm
 Target:
 Anode Angle 14 degrees
 Diameter 74 mm
 Construction Rhenium-Tungsten faced Molybdenum
 Filtration:
 Permanent Filtration 1.0 mm Al / 75 kV IEC60522:1999
 Radiation Protection (In accordance with IEC60601-1-3:2008):
 Leakage Technique Factor 150 kV, 3.4 mA
 X-ray Coverage 354 × 354 mm at SID 710 mm
 Weight: (Approx.)
 Without end cap 12.5kg
 With end cap 13.1kg
 High Voltage Receptacle CLAYMOUNT MINI-75
 Cooling Method Natural or forced air
 Tube Housing Model Number XH-1023

Absolute Maximum and Minimum Ratings

(At any time, these values must not be exceeded.)

Maximum X-ray Tube Voltage:

Radiographic	150 kV
Between Anode (or Cathode) and Ground	75 kV
Minimum X-ray Tube Voltage	40 kV
Maximum X-ray Tube Current	See rating charts
Large Focus	600 mA
Small Focus	300 mA

Maximum Filament Current:

Large Focus	5.5 A
Small Focus	5.2 A

Filament Voltage:

Large Focus (At maximum filament current 5.5 A)	12.7 ~ 17.1 V
Small Focus (At maximum filament current 5.2 A)	7.0 ~ 9.4 V

Filament Frequency Limits 0 ~ 25 kHz

Continuous Anode Input Power 142 W (200 HU/s)

(Fluoroscopic, Radiographic or mixed exposure)

Thermal Characteristics:

Anode Heat Content	210 kJ (300 kHU)
Maximum Anode Heat Dissipation	870 W (1226 HU/s)
X-ray Tube Assembly Heat Content	750 kJ (1056 kHU)

Nominal Continuous Input Power:

 Without Air-circulator 150 W (13 kHU/min)

Environmental Limits

Operating Limits:

Temperature	10 ~ 40 °C
Humidity	30 ~ 85 %
	(No condensation)
Atmospheric Pressure	70 ~ 106 kPa

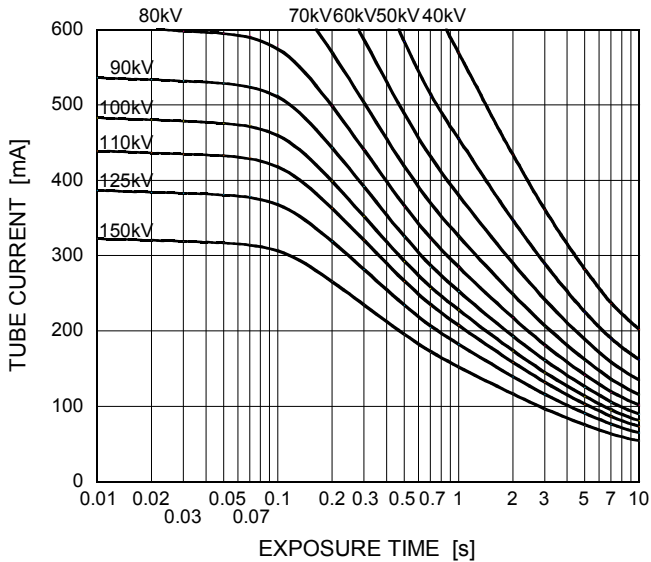
Shipping and Storage Limits:

Temperature	-20 ~ 70 °C
Humidity	20 ~ 90 %
	(No condensation)
Atmospheric Pressure	50 ~ 106 kPa

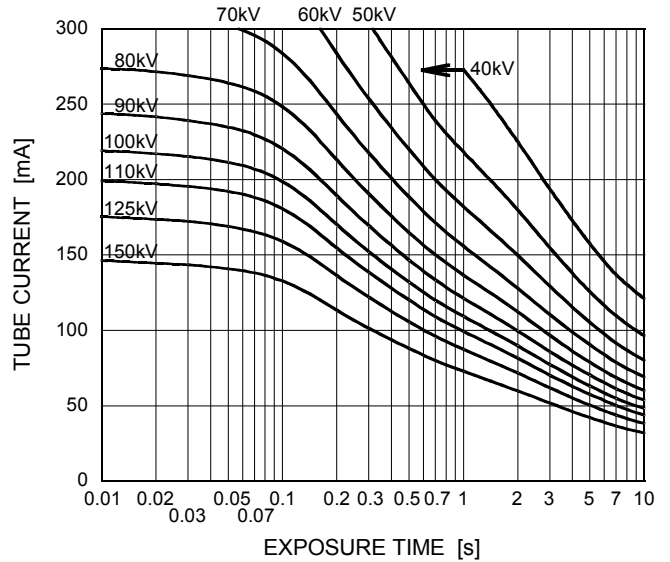
Maximum Rating Charts (Absolute Maximum Rating Charts)

Conditions: Constant potential high-voltage generator
Stator Power Frequency 60 Hz

Nominal Focal Spot Value: 1.2 ■

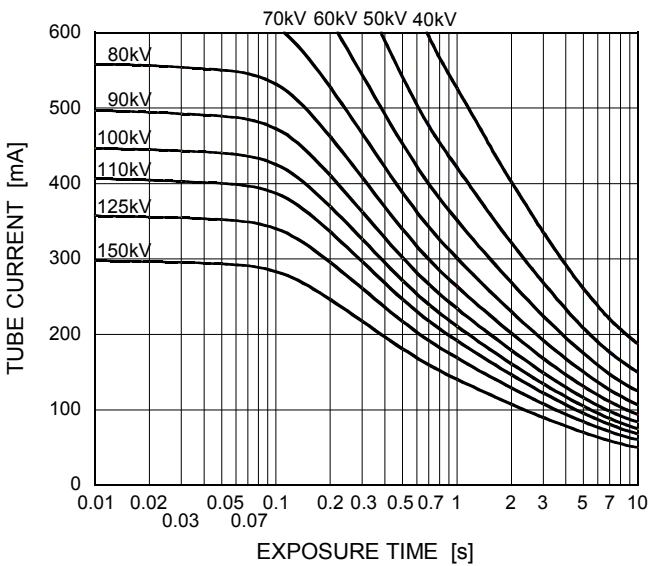


Nominal Focal Spot Value: 0.6 □

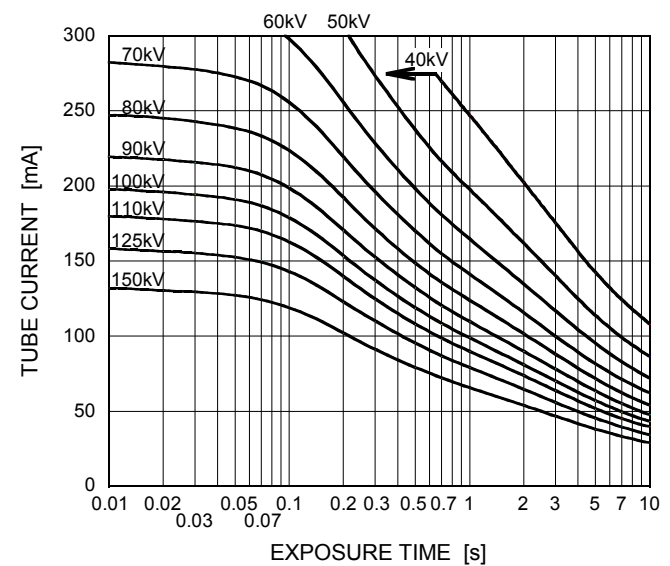


Conditions: Constant potential high-voltage generator
Stator Power Frequency 50 Hz

Nominal Focal Spot Value: 1.2 ■



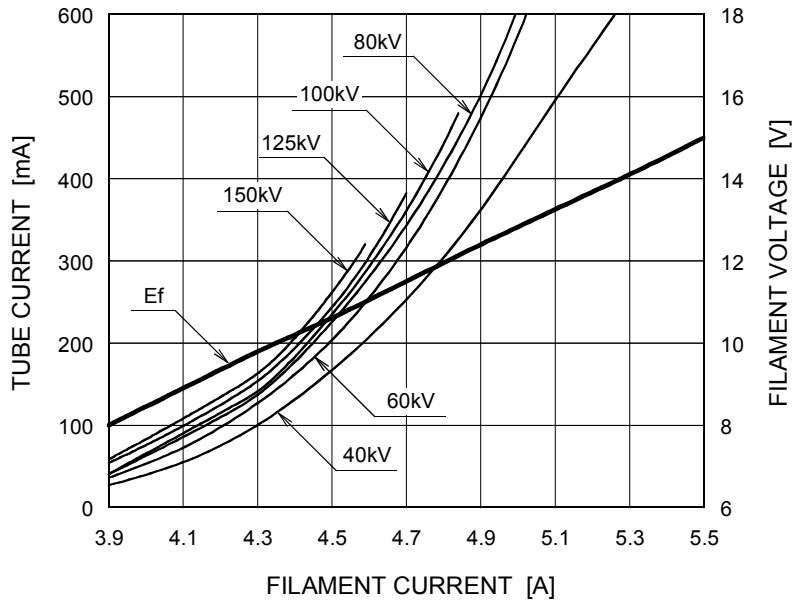
Nominal Focal Spot Value: 0.6 □



Emission & Filament Characteristics

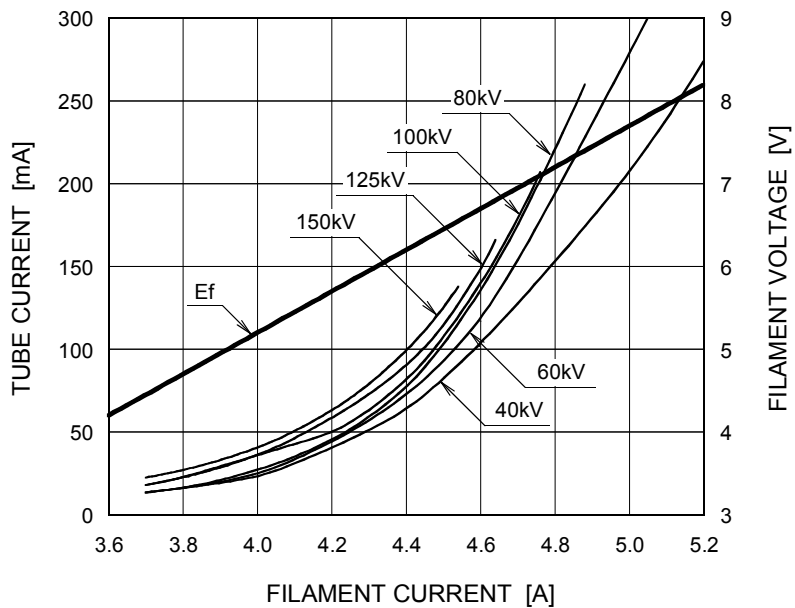
Constant potential high-voltage generator

Nominal Focal Spot Value: 1.2 ■



For Reference Only

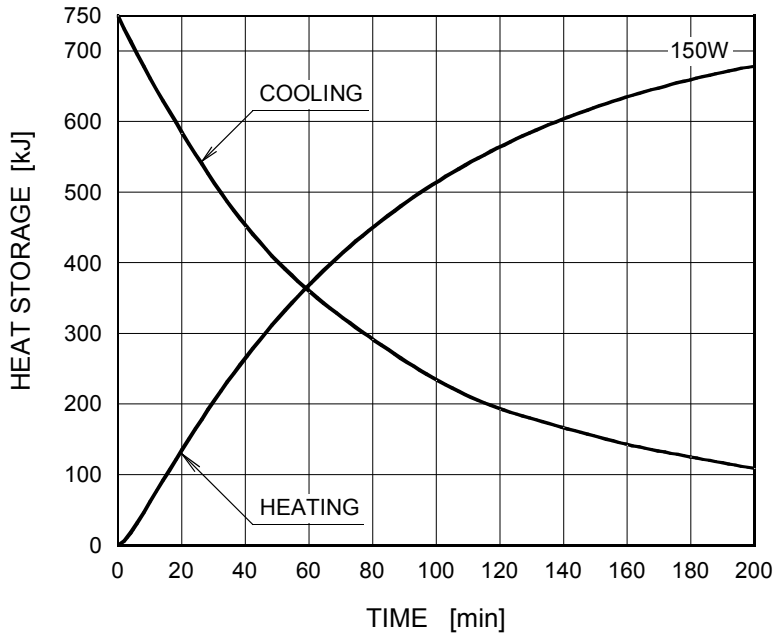
Nominal Focal Spot Value: 0.6 □



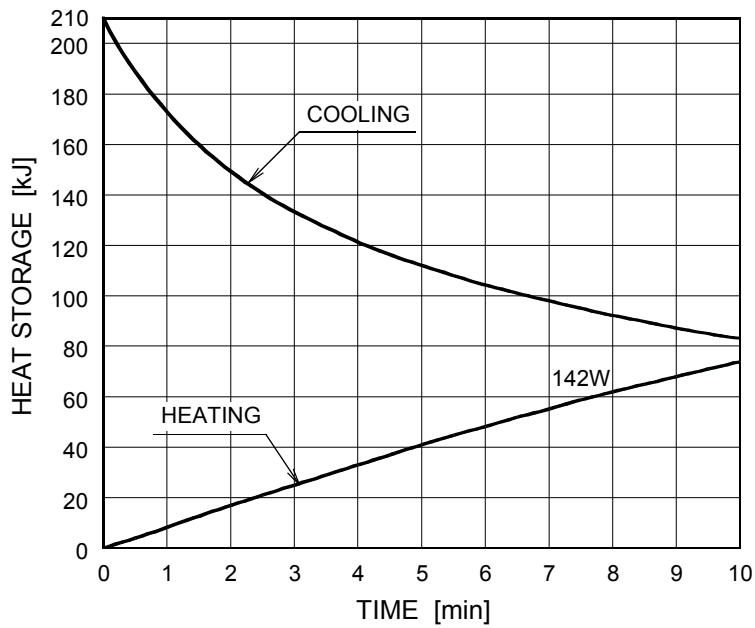
For Reference Only

Thermal Characteristics

X-ray Tube Assembly Heating / Cooling Curve



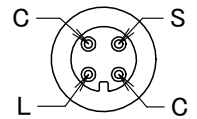
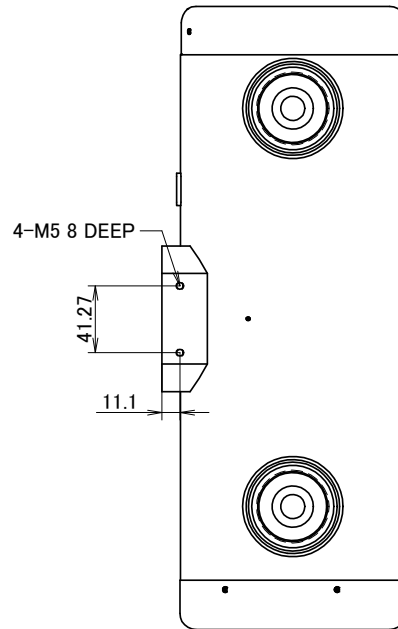
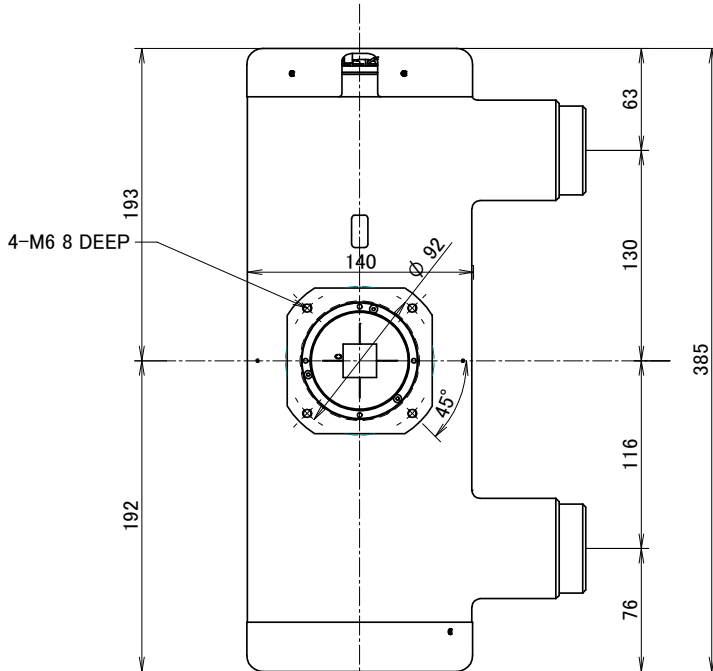
Anode Heating / Cooling Curve



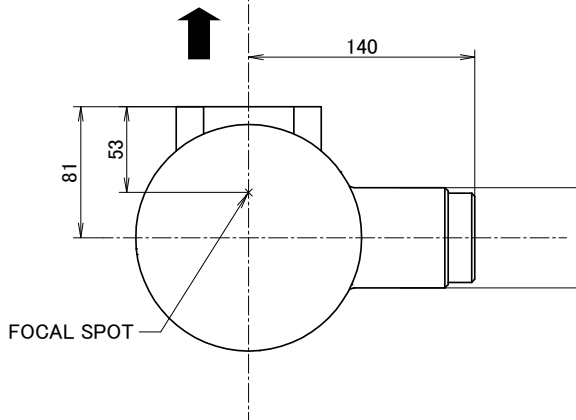
The heating curves are showing example of average input power to anode in operation.

Dimensional Outline

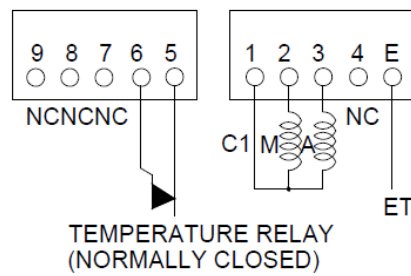
Unit: mm



CLAYMOUNT MINI-75



TERMINAL CONNECTIONS



TEMPERATURE RELAY (NORMALLY CLOSED)

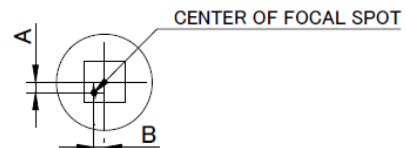
Note) Do not connect terminal No.1 and No.5 or 6 in series circuit.

EXPLANATION OF SYMBOLS

- CATHODE TERMINAL
 C : COMMON
 L : LARGE FOCUS
 S : SMALL FOCUS

TERMINAL CONNECTIONS

- C1 : COMMON
 M : MAIN WINDING OF THE STATOR
 A : AUX. WINDING OF THE STATOR
 NC : NON-CONNECTION
 ET : EARTH TERMINAL



$-1.5\text{mm} \leq A \leq 1.5\text{mm}$
 $-1.5\text{mm} \leq B \leq 1.5\text{mm}$

- ▲ : CENTRAL X-RAY ANODE & CATHODE TERMINAL
 : CLAYMOUNT MINI-75



CANON ELECTRON TUBES & DEVICES CO., LTD.

Marketing Engineering Group, Sales Department
1385, Shimoishigami, Otawara-shi, Tochigi 324-8550, Japan
Tel: +81-287-26-6666 Fax: +81-287-26-6060
<https://etd.canon>

·The head office of Canon Electron Tubes & Devices Co., Ltd. has been certified to meet all the requirements of Environmental Management System ISO14001.
·Canon Electron Tubes & Devices Co., Ltd. has been certified to meet all the requirements of Quality Management Systems ISO9001 and ISO13485.
Product scope is referred to the following URL. <https://etd.canon/eng/company/quality.htm>.