

**ANALIX™
AFX-66D**

- ◆ The ANALIX AFX-66D, a water cooled, grounded anode X-ray tube designed for X-ray fluorescence spectrometry.
- ◆ The maximum input power 3.0 kW.

General Data

Electrical:

Circuit:

High Voltage Generator	Constant Potential High-Voltage Generator
Grounding	Anode Grounded
Nominal X-ray Tube Voltage	60 kV
Focal Spot	7 × 7.5 mm
Starting Tube Voltage	20 kV or Less

Mechanical:

Dimensions:

Overall Length	497.5 mm
Diameter of Maximum Part	Maximum ϕ 90 mm

Target:

Angle	26 degrees to the tube axis
Material	Cr, Mo, W

Inherent Filtration:

Cr Target	0.3 mm Beryllium
Mo, W Target	1.0 mm Beryllium
X-ray Beam Angle	Approx. 35°
X-ray Port	1 Direction
Weight	Approx. 15 kg
Cooling Method	Water Cooled
Cooling Water	Minimum 3.5 ℓ /min
Maximum Input Temperature	35 °C
Maximum Water Pressure	490 kPa

★The information contained herein is presented only as a guide for the application of our products. No responsibility is assumed by Canon Electron Tubes & Devices Co., Ltd. (CETD) for any infringements of patents or other rights of the third parties which may result from its use.
No license is granted by implication or otherwise under any patent or patent rights of CETD or others.
★The information contained herein may be changed without prior notice. It is therefore, advisable to contact to CETD before processing with the design of equipment incorporating this product.

Maximum and Minimum Ratings
(At any time, these values must not be exceeded)

Maximum X-ray Tube Voltage	60 kV
Minimum X-ray Tube Voltage	20 kV
Maximum X-ray Tube Current	80 mA
Maximum Filament Current	4.5 A
Filament Frequency Limits	20 kHz or Less
Maximum Input	3.0 kW

Environmental Limits

Operating Limits:

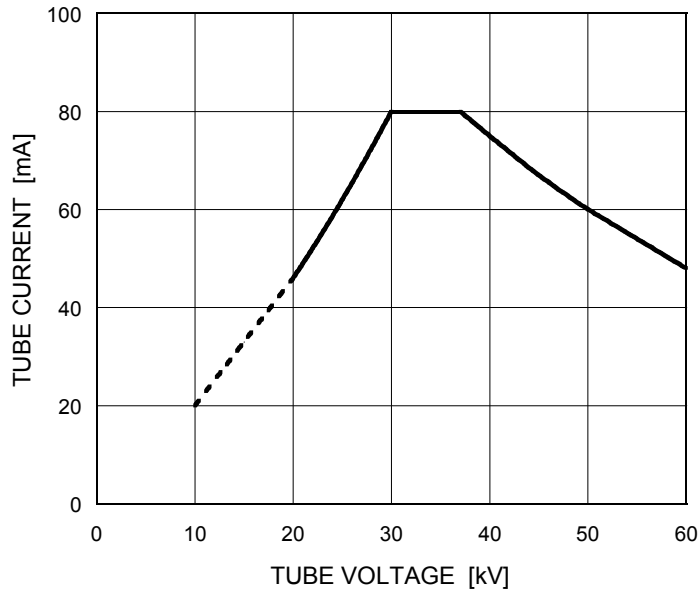
Temperature	10 ~ 40 °C
Humidity	85 % or Less (No condensation)
Atmospheric Pressure	70 ~ 106 kPa
Vibration and Shock	Use it in environment without vibration and a shock

Shipping and Storage Limits:

Temperature	-20 ~ 70 °C
Humidity	85 % or Less (No condensation)
Atmospheric Pressure	50 ~ 106 kPa
Vibration	4.9 m/s ² or Less
Shock	98 m/s ² or Less

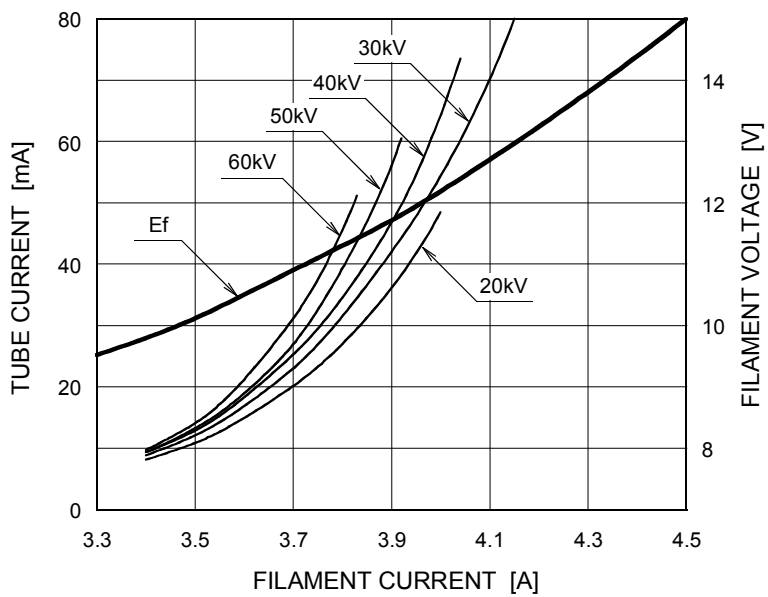
Maximum Rating Charts (Absolute Maximum Rating Charts)

Constant Potential High-Voltage Generator



Tube Current & Filament Characteristics

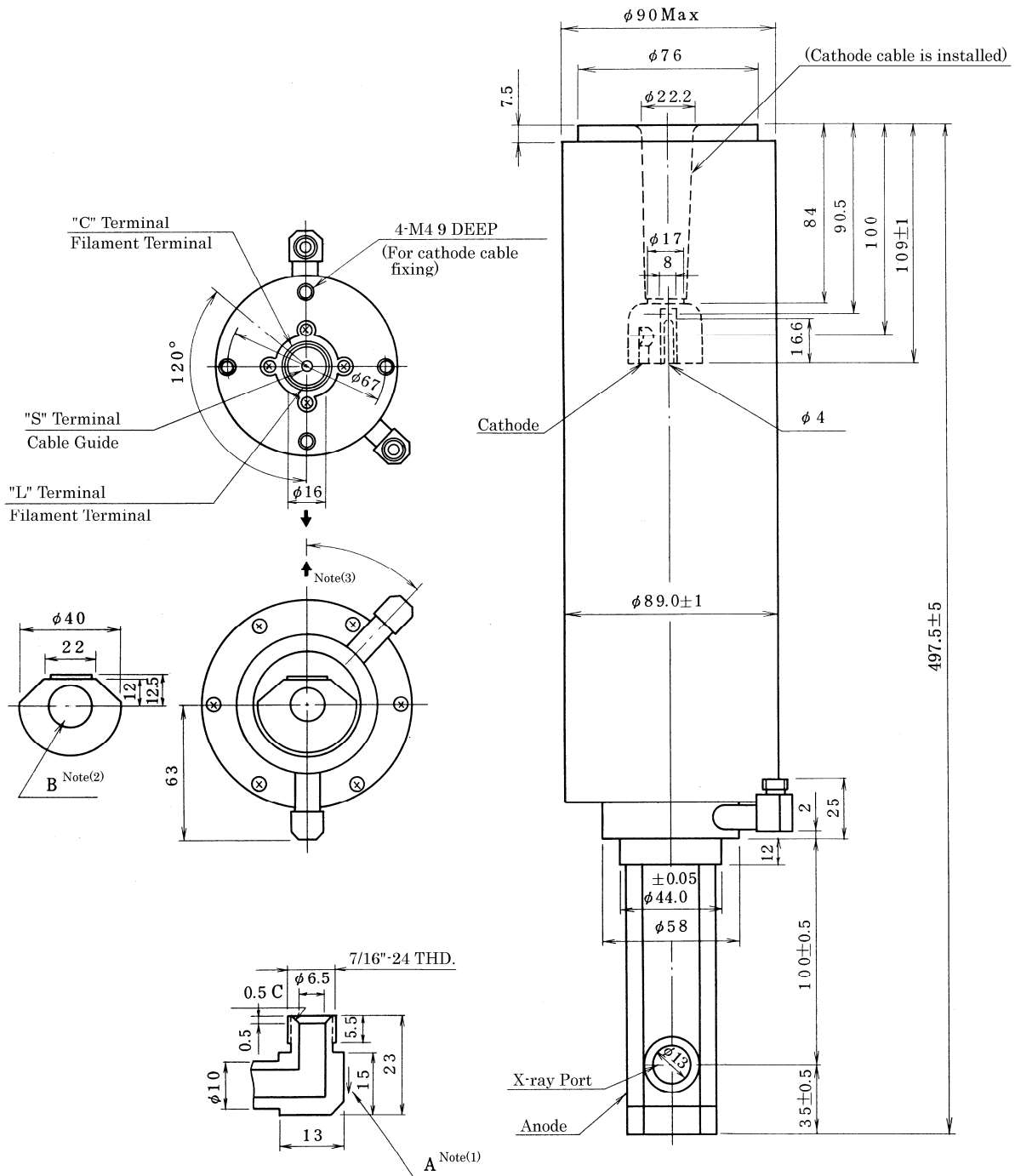
Constant Potential High-Voltage Generator



For Reference Only

Dimensional Outline

Unit: mm



Note

- (1) The mark "A" gives a direction of water-flow.
- (2) In the part of "B" the material of target is signified with the chemical element symbol.
- (3) Mark \blackrightarrow indicates the direction of central X-ray.



CANON ELECTRON TUBES & DEVICES CO., LTD.

Marketing Engineering Group, Sales Department
1385, Shimoishigami, Otawara-shi, Tochigi 324-8550, Japan
Tel: +81-287-26-6666 Fax: +81-287-26-6060
<https://etd.canon>

·The head office of Canon Electron Tubes & Devices Co., Ltd. has been certified to meet all the requirements of Environmental Management System ISO14001.
·Canon Electron Tubes & Devices Co., Ltd. has been certified to meet all the requirements of Quality Management Systems ISO9001 and ISO13485.
Product scope is referred to the following URL. <https://etd.canon/eng/company/quality.htm>.