

**X-RAY TUBE
D-058R**

Stationary Anode X-ray Tube

- ◆ Especially designed for dental radiography unit.
- ◆ Provided with an insulation cylinder.
- ◆ This tube has focus 0.5, and is available for maximum tube voltage 70 kV.
- ◆ Installed in the same enclosure with the high voltage transformer.

General Data

Electrical:

Circuit:

High Voltage Generator	Constant Potential High-Voltage Generator
Grounding	Center-Grounded
Nominal X-ray Tube Voltage	70 kV
Nominal Focal Spot Value	0.5
Nominal Anode Input Power (at 1.0s)	675 W
Nominal Radiographic Anode Input Power	690 W
Exposure Duty Cycle	1:30 or more (Exposure Time : Interval Time)

Mechanical:

Dimensions:

Overall Length	See dimensional outline
Maximum Diameter	See dimensional outline
Target:	
Anode Angle	12.5 degrees
Material	Tungsten
Inherent Filtration	At least 1.0 mm Al
X-ray Coverage	φ 80 mm at SID 200 mm
Weight	Approx. 165 g
Cooling Method	Oil immersed (60°C Max.) and convection oil cooling.
Tube Holding	Holding the glass envelope of the anode end and cathode end.

★The information contained herein is presented only as a guide for the application of our products. No responsibility is assumed by Canon Electron Tubes & Devices Co., Ltd. (CETD) for any infringements of patents or other rights of the third parties which may result from its use.

No license is granted by implication or otherwise under any patent or patent rights of CETD or others.

★The information contained herein may be changed without prior notice. It is therefore, advisable to contact to CETD before processing with the design of equipment incorporating this product.

Absolute Maximum and Minimum Ratings

(At any time, these values must not be exceeded.)

Maximum X-ray Tube Voltage	70 kV
Between Anode (or Cathode) and Ground	35 kV
Minimum X-ray Tube Voltage	50 kV
Maximum X-ray Tube Current	13 mA
Filament Characteristics:	
Maximum Filament Current	3.0 A
Filament Voltage (At maximum Filament Current 3.0A)	2.8 ~ 3.6 V
Filament Frequency Limits	DC or AC (Sine Wave) 0 ~ 20 kHz
Thermal Characteristics (Oil Temperature: 25°C):	
Anode Heat Content	13 kJ
Maximum Anode Heat Dissipation	300 W
Maximum Radiographic Exposure Time	10 s

Environmental Limits

Operating Limits (in dielectric oil):

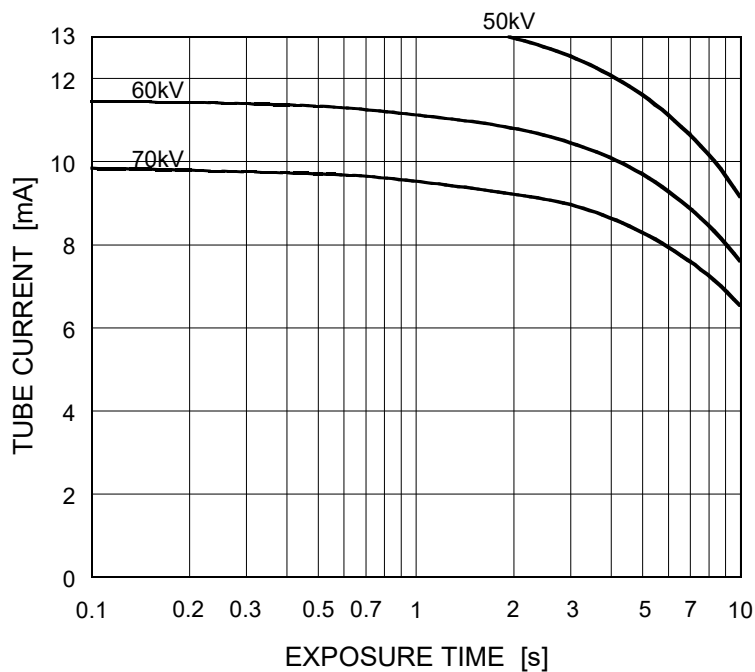
Oil Temperature	10 ~ 60 °C
Oil pressure	70 ~ 140 kPa

Shipping and Storage Limits:

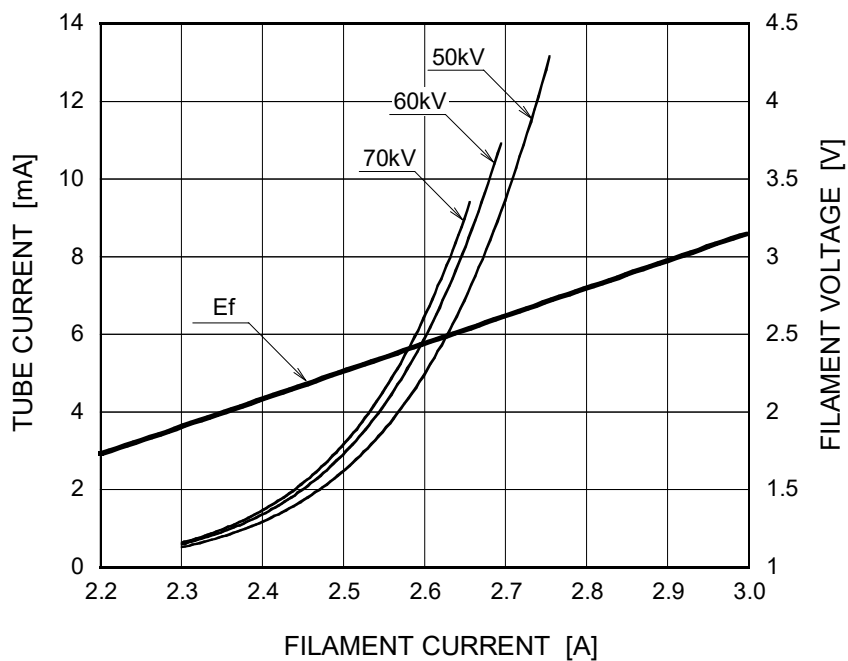
Temperature	-40 ~ 70 °C
Humidity	10 ~ 90 %
	(No condensation)
Atmospheric Pressure	50 ~ 106 kPa

Maximum Rating Charts (Absolute maximum rating charts)

Nominal Focal Spot Value: 0.5

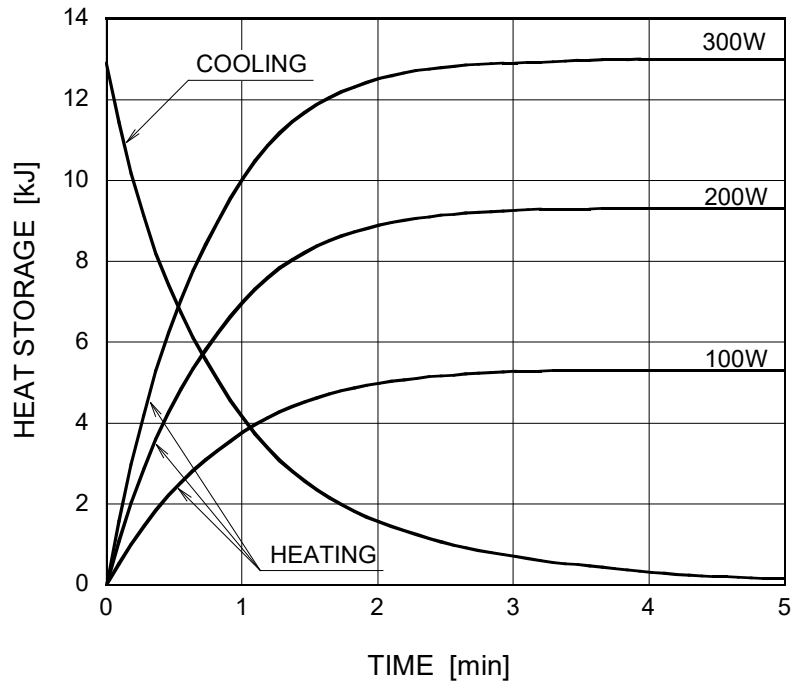


Emission & Filament Characteristics



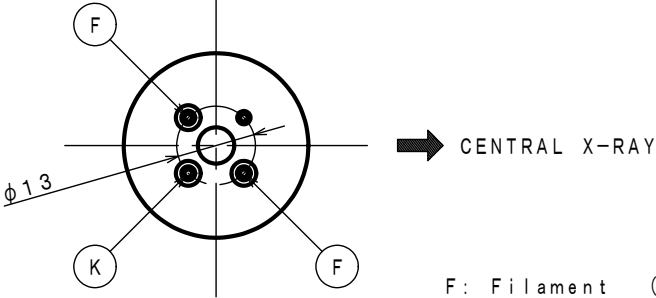
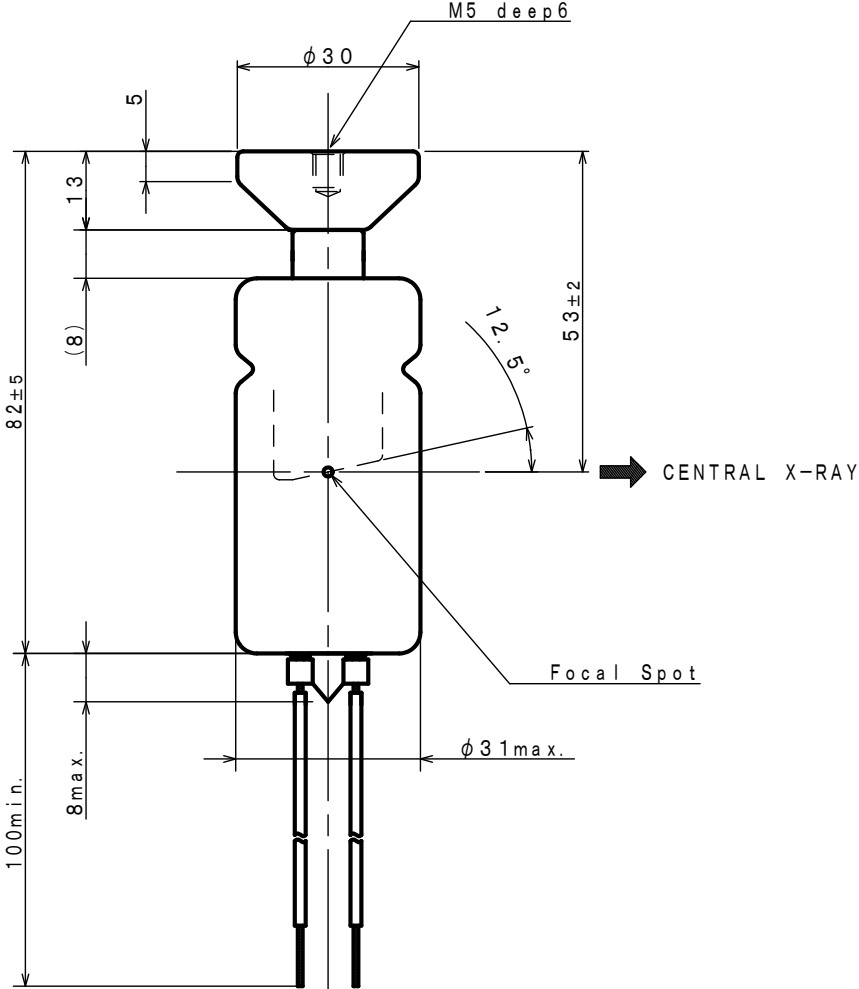
This graph indicates typical characteristics.

Anode Heating / Cooling Curve



Dimensional Outline

Unit: mm



F: Filament (Yellow)
K: Cathode (Black)

